

DALI-2 & Push Dimming

DALI-2 & Push Dimming (2 in 1) Constant Voltage LED Driver [DT6]

DALI-2(数字可寻址)&PUSH二合一调光电源 [DT6]

Features

特性

- Dim-all: DALI-2 & PUSH Dimming (2 in 1)
- Universal input: 100-277Vac
- Built-in active PFC function
- Efficiency up to 91%
- Short-circuit, over-temperature, over-load protection
- Cooling by free air convection; IP67 for indoor & outdoor
- Dimming curve: Logarithmic (default) and Linear
- Dimming protocol: DALI-2 Protocol IEC62386; PUSH-DIM
- NFC function to adjust output voltage and set address
- Dimming range: 0-100%, LED start at 0.1% possible
- Suitable for intelligent LED lighting
- 7 years warranty
- UL cUL listed, Class 2, Type HL, FCC, NEMA 4X, CE, RoHs

调光方式: DALI-2 & PUSH 调光 (二合一)

通用输入: 100-277Vac

内置有源PFC功能

效率高达 91%

短路、过温、过载保护

自由空气对流冷却; IP67 适用于室内和室外使用

调光曲线: 对数 (默认) 和线性调光

调光协议: DALI-2协议IEC62386; PUSH调光

内置NFC功能可调整输出电压和设置地址码

调光范围: 0-100%, 可以从0.1%开始调光

适用于智能LED照明

7年保修

认证: UL/cUL, Class 2, Type HL, FCC,

NEMA 4X, CE, ROHS

Application

应用

- LED strip/LED tape/LED module
- Residential Lighting
- Commercial Lighting
- Indoor & outdoor LED illuminating lights.
- LED Neon
- LED City Decoration

LED灯条/LED灯带/LED模组

住宅照明

商业照明

户内外LED照明

LED霓虹灯

LED城市装饰灯

Optional Shell

可选外壳

SMT- yy###V-DP2



DC 12V 24V 36V 48V, 30W-300W

Standard Size

SMT-JByy###V-DP2



DC 12V 24V 36V 48V, 30W-300W

built-in Junction Box

Whole Family

SMT-yy###V-DP2 SMT-JByy###V-DP2

JB: (built-in Junction Box)

yy = 12VDC, 24VDC, 36VDC, 48VDC

= 30W 60W 100W 120W 150W 200W 300W



SMT-yy###V-DP2 Product List

胶壳、铝壳电源有以下型号

Model 型号	Cover Material 外壳材质	Output Voltage 输出电压 (Vdc)	Output Current 输出电流 (Amp)	Output power 输出功率 (Watt)	Product Size 尺寸 (mm)	N/W 净重 (g)
SMT-12030V-DP2	Plastic(IP20)	DC 12V	2.5A	30W	171.5x54x20	310
SMT-24030V-DP2		DC 24V	1.25A			
SMT-36030V-DP2		DC 36V	0.83A			
SMT-48030V-DP2		DC 48V	0.63A			
SMT-12060V-DP2	Plastic(IP20)	DC 12V	5A	60W	192.5x62x24	350
SMT-24060V-DP2		DC 24V	2.5A			
SMT-36060V-DP2		DC 36V	1.67A			
SMT-48060V-DP2		DC 48V	1.25A			
SMT-12100V-DP2	Aluminum (IP67)	DC 12V	8.34A	100W	230x78x25	600
SMT-24100V-DP2		DC 24V	4.17A			
SMT-36100V-DP2		DC 36V	2.78A			
SMT-48100V-DP2		DC 48V	2.08A			
SMT-12120V-DP2	Aluminum (IP67)	DC 12V	10A	120W	230x78x25	600
SMT-24120V-DP2		DC 24V	5A			
SMT-36120V-DP2		DC 36V	2.78A			
SMT-48120V-DP2		DC 48V	2.5A			
SMT-12150V-DP2	Aluminum (IP67)	DC 12V	12.5A	150W	278x78x25	850
SMT-24150V-DP2		DC 24V	6.25A			
SMT-36150V-DP2		DC 36V	4.17A			
SMT-48150V-DP2		DC 48V	3.12A			
SMT-12200V-DP2	Aluminum (IP67)	DC 12V	16.67A	200W	278x78x25	850
SMT-24200V-DP2		DC 24V	8.34A			
SMT-36200V-DP2		DC 36V	5.56A			
SMT-48200V-DP2		DC 48V	4.17A			
SMT-12300V-DP2	Aluminum (IP67)	DC 12V	25A	300W	300x78x25	950
SMT-24300V-DP2		DC 24V	12.5A			
SMT-36300V-DP2		DC 36V	8.34A			
SMT-48300V-DP2		DC 48V	6.25A			

SMT-JByy###V-DP2 Product List

一体机电源有以下型号

Model 型号	Cover Material 外壳材质	Output Voltage 输出电压 (Vdc)	Output Current 输出电流 (Amp)	Output power 输出功率 (Watt)	Product Size 尺寸 (mm)	N/W 净重 (g)
SMT-JB12030V-DP2	Metal Housing (NEMA 4X)	DC 12V	2.5A	30W	181*108.5*40	230
SMT-JB24030V-DP2		DC 24V	1.25A			
SMT-JB36030V-DP2		DC 36V	0.83A			
SMT-JB48030V-DP2		DC 48V	0.63A			
SMT-JB12060V-DP2		DC 12V	5A	60W	202.5*114.2*40	350
SMT-JB24060V-DP2		DC 24V	2.5A			
SMT-JB36060V-DP2		DC 36V	1.67A			
SMT-JB48060V-DP2		DC 48V	1.25A			
SMT-JB12096V-DP2		DC 12V	8.3A	96W	241*125*40	830
SMT-JB24096V-DP2		DC 24V	4A			
SMT-JB36096V-DP2		DC 36V	2.67A			
SMT-JB48096V-DP2		DC 48V	2A			
SMT-JB12100V-DP2		DC 12V	8.33A	100W	241*125*40	830
SMT-JB24100V-DP2		DC 24V	4.17A			
SMT-JB36100V-DP2		DC 36V	2.78A			
SMT-JB48100V-DP2		DC 48V	2.08A			
SMT-JB12120V-DP2		DC 12V	10A	120W	241*125*40	830
SMT-JB24120V-DP2		DC 24V	5A			
SMT-JB36120V-DP2		DC 36V	2.78A			
SMT-JB48120V-DP2		DC 48V	2.5A			
SMT-JB12150V-DP2		DC 12V	12.5A	150W	293*125*40	1050
SMT-JB24150V-DP2		DC 24V	6.25A			
SMT-JB36150V-DP2		DC 36V	4.17A			
SMT-JB48150V-DP2		DC 48V	3.12A			
SMT-JB12200V-DP2		DC 12V	16.67A	200W	293*125*40	1050
SMT-JB24200V-DP2		DC 24V	8.34A			
SMT-JB36200V-DP2		DC 36V	5.56A			
SMT-JB48200V-DP2		DC 48V	4.17A			
SMT-JB12300V-DP2		DC 12V	25A	300W	316*125*40	1200
SMT-JB24300V-DP2		DC 24V	12.5A			
SMT-JB36300V-DP2	DC 36V	8.34A				
SMT-JB48300V-DP2	DC 48V	6.25A				

Product Display

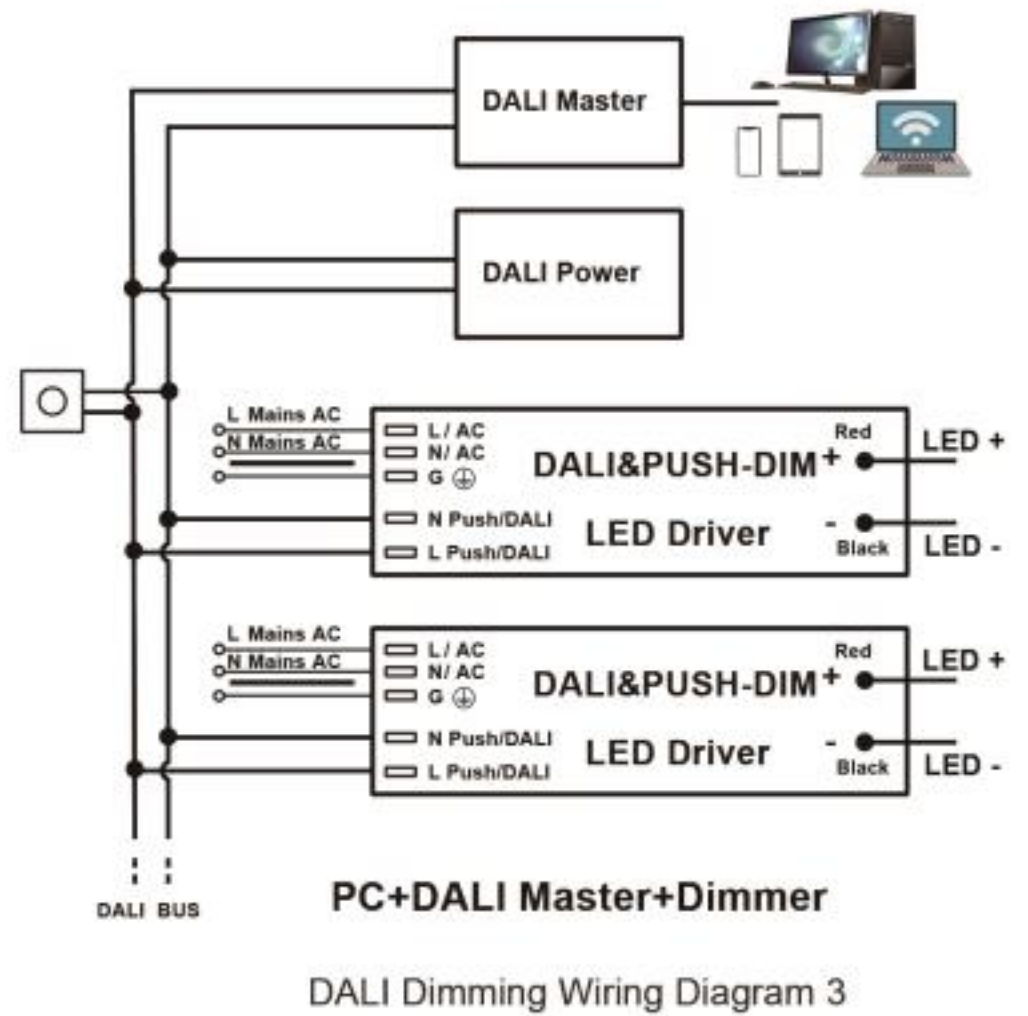
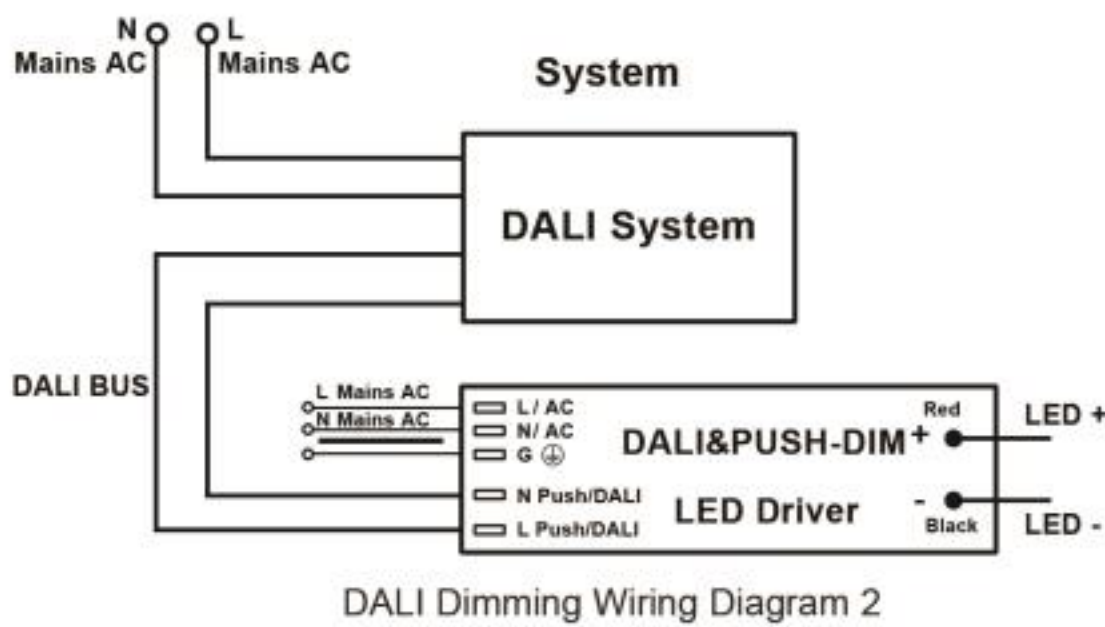
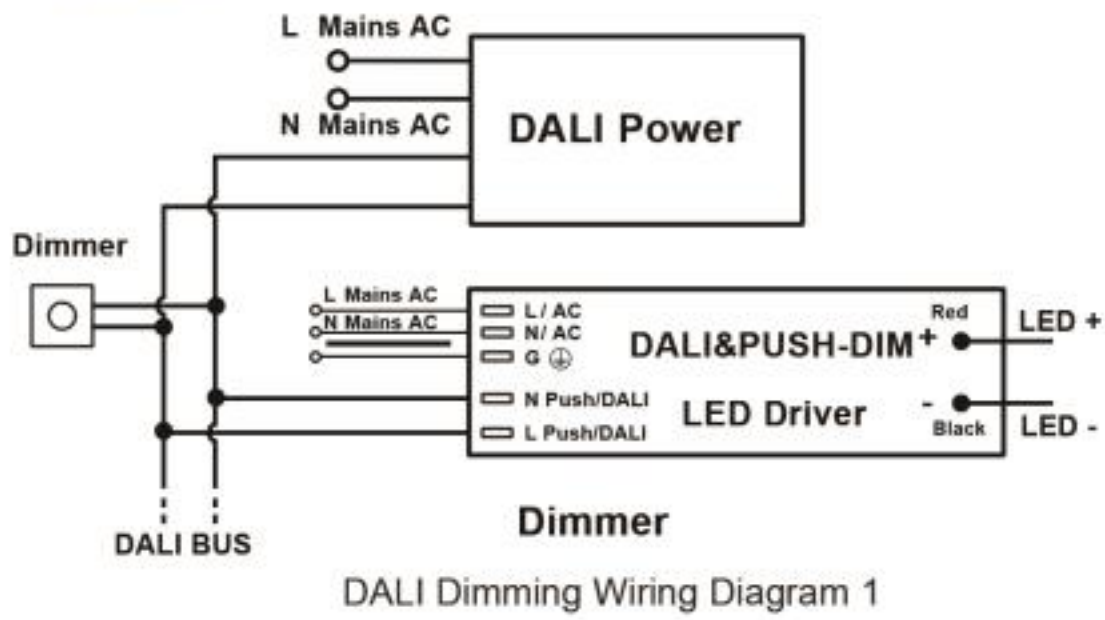
产品展示

SMT-JByy###V-DP2



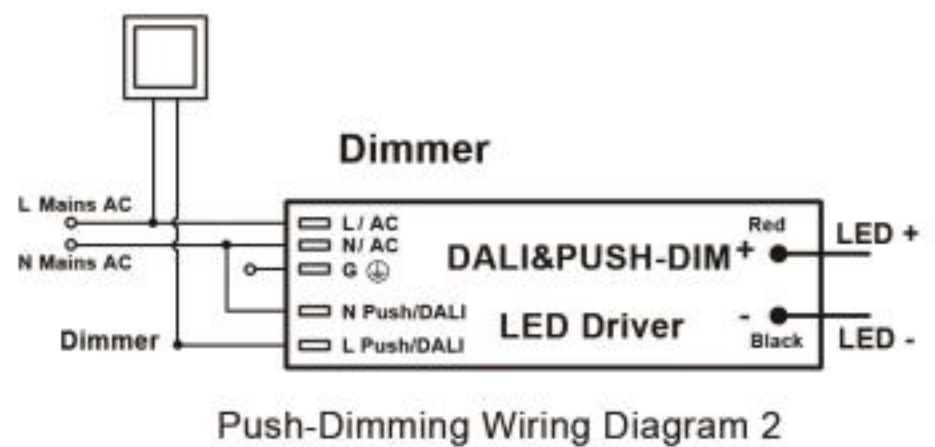
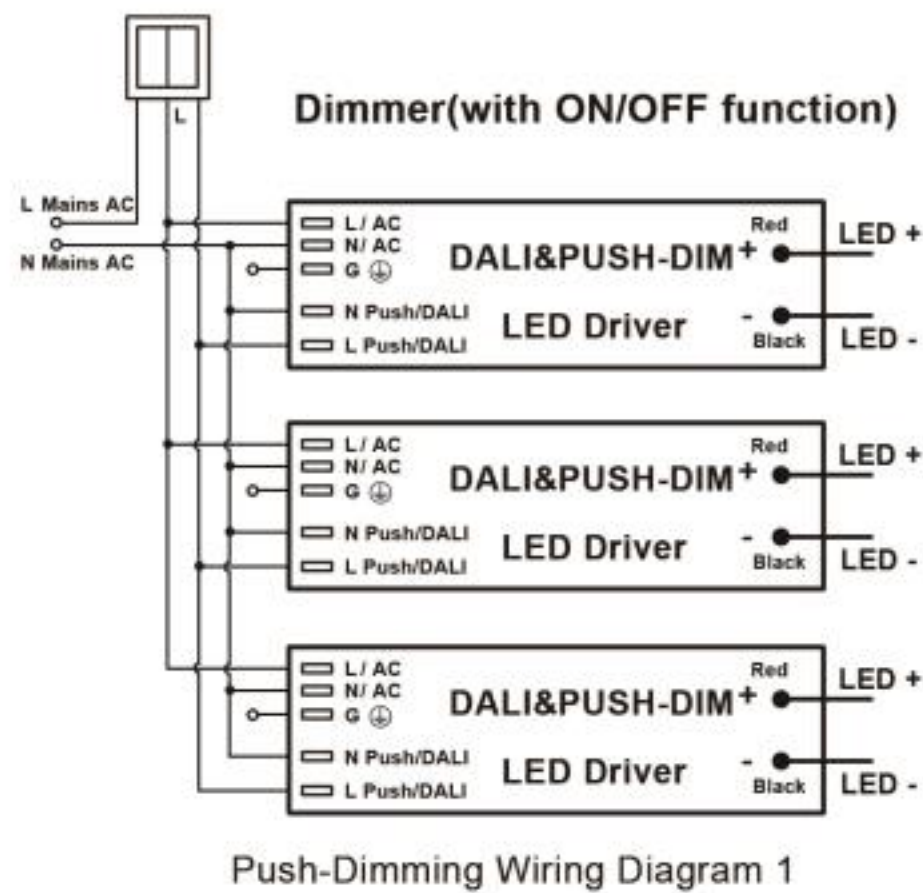
DALI Dimming Wiring Diagram

接线图



PUSH Dimming Wiring Diagram

接线图



Note: For DALI Dimming Wiring Diagram 3, please noted that only one DALI power is need in the DALI bus, so no extra DALI power is needed if the Master or Dimmer already includes the DALI Power.

注意: 对于 DALI 调光接线图 3, 请注意 DALI 总线中只需要一个 DALI 电源, 因此如果 Master 或 Dimmer 已经包含 DALI 电源, 则不需要额外的 DALI 电源。

Product Display

产品展示

SMT-yy###V-DP2



DALI-2 & Push Dimming

DALI-2 & Push Dimming (2 in 1) Constant Voltage LED Driver [DT8]

DALI-2(数字可寻址)&PUSH二合一调光电源 [DT8]

Features

特性

- **Dim-all:** DALI-2 & PUSH Dimming (2 in 1)
- **Universal input:** 100-277Vac
- Built-in active PFC function
- Efficiency up to 88.5% ~ 91%
- Standby power consumption ≤ 0.5 W
- Short-circuit, over-temperature, over-load protection
- Suitable for dry, damp, wet locations
- **Dimming curve:** Logarithmic (default) and Linear
- DALI-2 Protocol IEC62386; PUSH-DIM (CCT dimming)
- NFC function to adjust output voltage and set address/ID
- **Dimming range:** 0-100%, LED start at 0.1% possible
- Suitable for intelligent LED lighting
- Flicker-free, PWM output frequency, 4K Hz Stroboscopic exemption
- 7 years warranty
- UL cUL listed, Class 2, Type HL, FCC, NEMA 4X, CE, RoHs

调光方式: DALI-2 & PUSH 调光 (二合一)

通用输入: 100-277Vac

内置有源PFC功能

效率高达 88.5% ~ 91%

待机功耗 ≤ 0.5W

短路、过温、过载保护

适用于干燥、潮湿、潮湿的场所

调光曲线: 对数 (默认) 和线性调光

DALI-2协议IEC62386; PUSH调光(色温调光)

内置NFC功能可调整输出电压和设置地址码

调光范围: 0-100%, 可以从0.1%开始调光

适用于智能LED照明

无闪烁, PWM输出频率, 4K Hz免频闪

7年保修

认证: UL/cUL, Class 2, Type HL, FCC,

NEMA 4X, CE, ROHS

Application

应用

- LED strip/LED tape/LED module
- Residential Lighting
- Commercial Lighting
- Indoor & outdoor LED illuminating lights.
- LED Neon
- LED City Decoration

LED灯条/LED灯带/LED模组

住宅照明

商业照明

户内外LED照明

LED霓虹灯

LED城市装饰灯

Optional Shell

可选外壳

SMT-yy###V-DP2-2C



DC 12V 24V 48V, 60W-300W
Standard Size

SMT-JByy###V-DP2-2C



DC 12V 24V 36V 48V, 60W-300W
built-in Junction Box

Whole Family

SMT-yy###V-DP2-2C SMT-JByy###V-DP2-2C

JB: (built-in Junction Box)

yy = 12VDC, 24VDC, 36VDC, 48VDC

= 60W 100W 120W 150W 200W 300W

2C: CW - ; WW-



SMT-yy###V-DP2-2C Product List

胶壳、铝壳电源有以下型号

Model 型号	Cover Material 外壳材质	Output Voltage 输出电压 (Vdc)	Output Current 输出电流 (Amp)	Output power 输出功率 (Watt)	Product Size 尺寸 (mm)	N/W 净重 (g)
SMT-12060V-DP2-2C	Plastic(IP20)	DC 12V	5A	60W	192.5x62x24	400
SMT-24060V-DP2-2C		DC 24V	2.5A			
SMT-48060V-DP2-2C		DC 48V	1.25A			
SMT-12100V-DP2-2C	Aluminum (IP67)	DC 12V	8.34A	100W	230x78x25	600
SMT-24100V-DP2-2C		DC 24V	4.17A			
SMT-48100V-DP2-2C		DC 48V	2.08A			
SMT-12120V-DP2-2C	Aluminum (IP67)	DC 12V	10A	120W	230x78x25	600
SMT-24120V-DP2-2C		DC 24V	5A			
SMT-48120V-DP2-2C		DC 48V	2.5A			
SMT-12150V-DP2-2C	Aluminum (IP67)	DC 12V	12.5A	150W	278x78x25	850
SMT-24150V-DP2-2C		DC 24V	6.25A			
SMT-48150V-DP2-2C		DC 48V	3.12A			
SMT-12200V-DP2-2C	Aluminum (IP67)	DC 12V	16.67A	200W	278x78x25	850
SMT-24200V-DP2-2C		DC 24V	8.34A			
SMT-48200V-DP2-2C		DC 48V	4.17A			
SMT-12300V-DP2-2C	Aluminum (IP67)	DC 12V	25A	300W	300x78x25	950
SMT-24300V-DP2-2C		DC 24V	12.5A			
SMT-48300V-DP2-2C		DC 48V	6.25A			

Product Display

产品展示

SMT-yy###V-DP2-2C





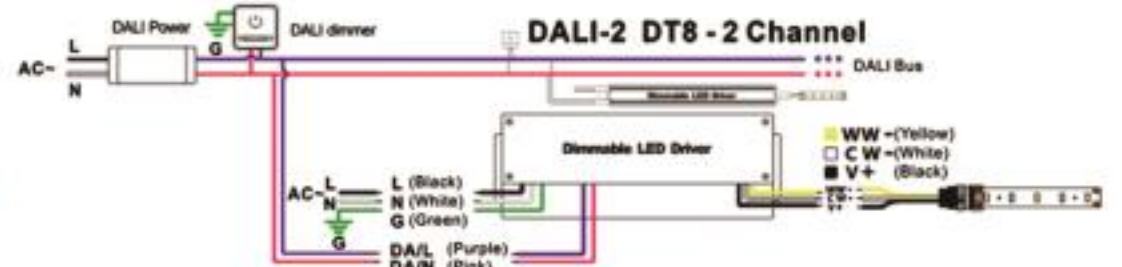
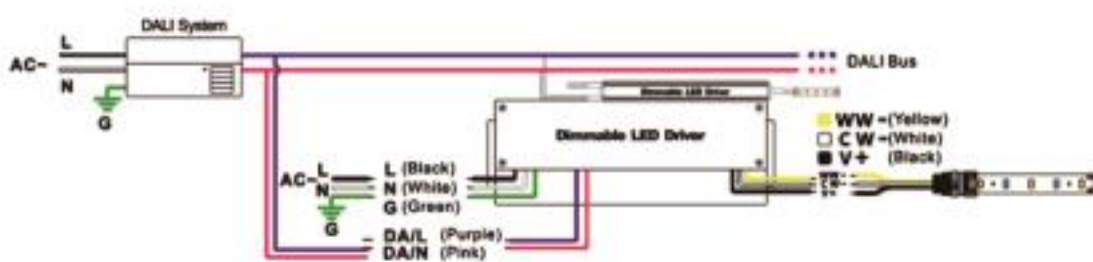
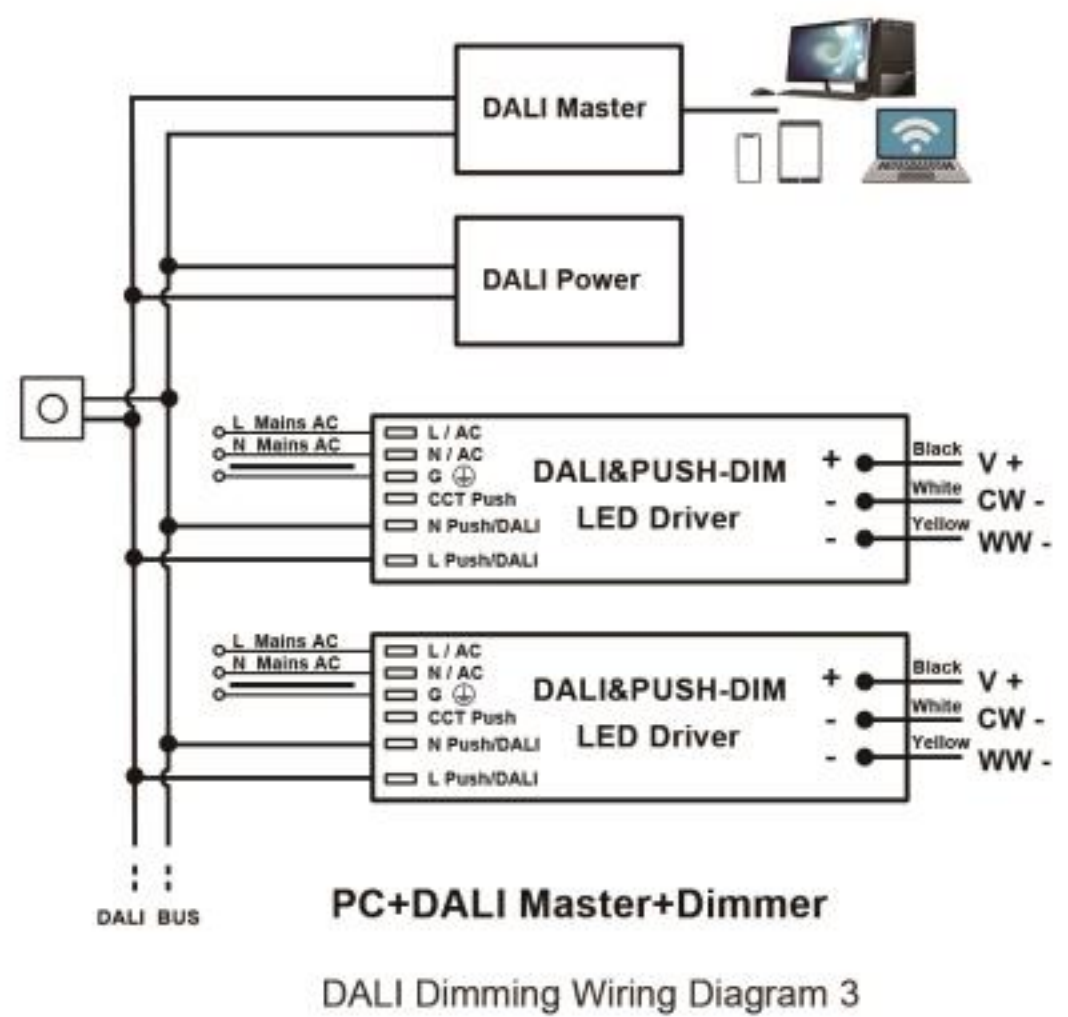
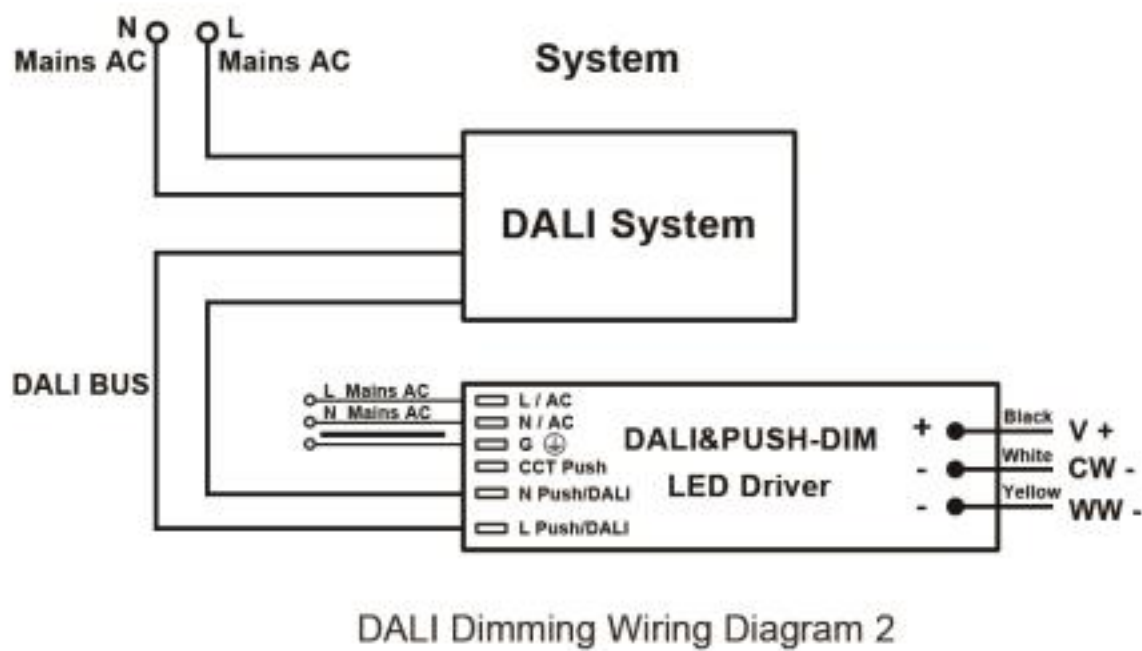
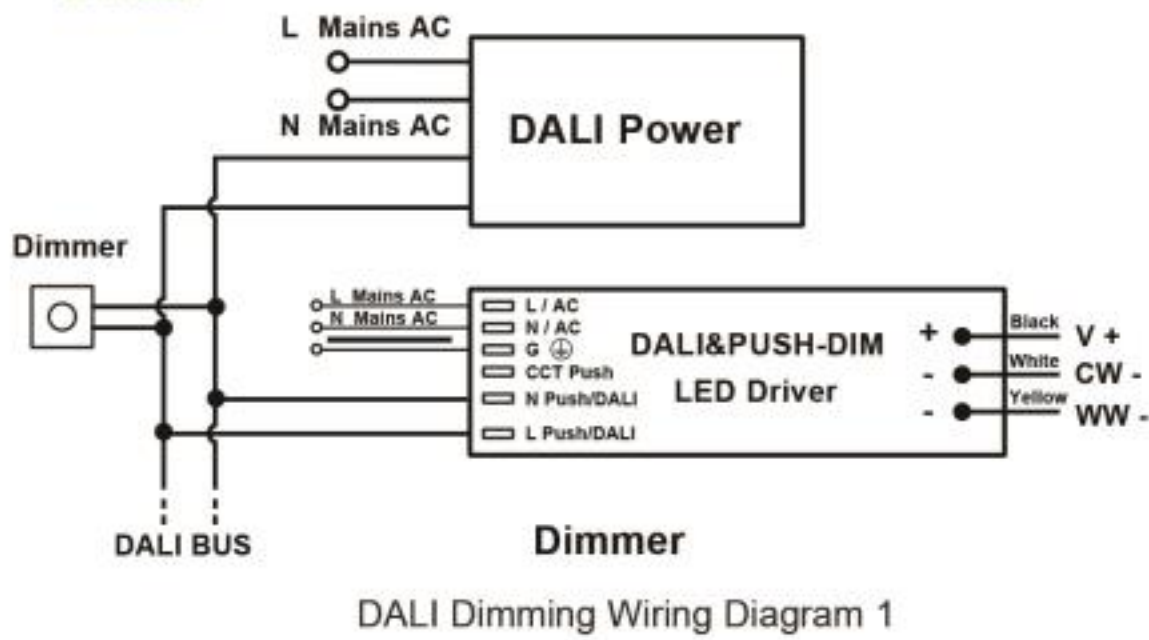
SMT-JByy###V-DP2-2C Product List

一体机电源有以下型号

Model 型号	Cover Material 外壳材质	Output Voltage 输出电压 (Vdc)	Output Current 输出电流 (Amp)	Output power 输出功率 (Watt)	Product Size 尺寸 (mm)	N/W 净重 (g)
SMT-JB12060V-DP2-2C	Metal Housing (NEMA 4X)	DC 12V	5A	60W	202.5*114.2*40	350
SMT-JB24060V-DP2-2C		DC 24V	2.5A			
SMT-JB36060V-DP2-2C		DC 36V	1.67A			
SMT-JB48060V-DP2-2C		DC 48V	1.25A	96W	241*125*40	830
SMT-JB12096V-DP2-2C		DC 12V	8.3A			
SMT-JB24096V-DP2-2C		DC 24V	4A			
SMT-JB36096V-DP2-2C		DC 36V	2.67A	100W	241*125*40	830
SMT-JB48096V-DP2-2C		DC 48V	2A			
SMT-JB12100V-DP2-2C		DC 12V	8.33A			
SMT-JB24100V-DP2-2C		DC 24V	4.17A	120W	241*125*40	830
SMT-JB36100V-DP2-2C		DC 36V	2.78A			
SMT-JB48100V-DP2-2C		DC 48V	2.08A			
SMT-JB12120V-DP2-2C		DC 12V	10A	150W	293*125*40	1050
SMT-JB24120V-DP2-2C		DC 24V	5A			
SMT-JB36120V-DP2-2C		DC 36V	2.78A			
SMT-JB48120V-DP2-2C		DC 48V	2.5A	200W	293*125*40	1050
SMT-JB12150V-DP2-2C		DC 12V	12.5A			
SMT-JB24150V-DP2-2C		DC 24V	6.25A			
SMT-JB36150V-DP2-2C		DC 36V	4.17A	300W	316*125*40	1200
SMT-JB48150V-DP2-2C		DC 48V	3.12A			
SMT-JB12200V-DP2-2C		DC 12V	16.67A			
SMT-JB24200V-DP2-2C		DC 24V	8.34A	200W	293*125*40	1050
SMT-JB36200V-DP2-2C		DC 36V	5.56A			
SMT-JB48200V-DP2-2C		DC 48V	4.17A			
SMT-JB12300V-DP2-2C		DC 12V	25A	300W	316*125*40	1200
SMT-JB24300V-DP2-2C		DC 24V	12.5A			
SMT-JB36300V-DP2-2C		DC 36V	8.34A			
SMT-JB48300V-DP2-2C		DC 48V	6.25A			

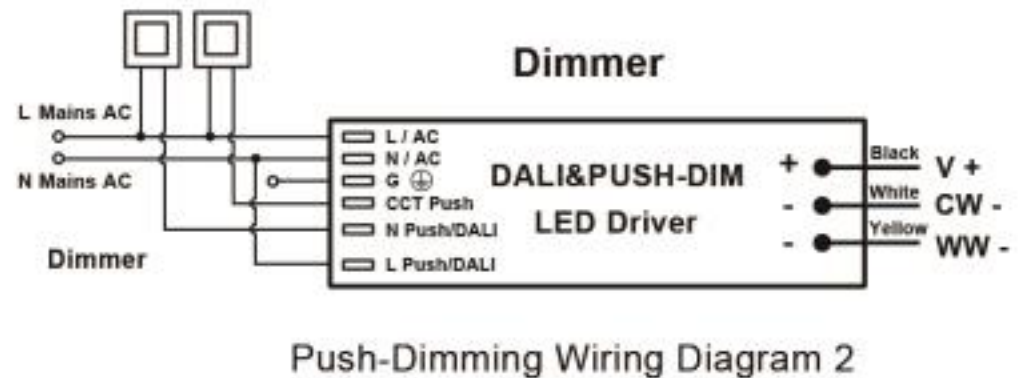
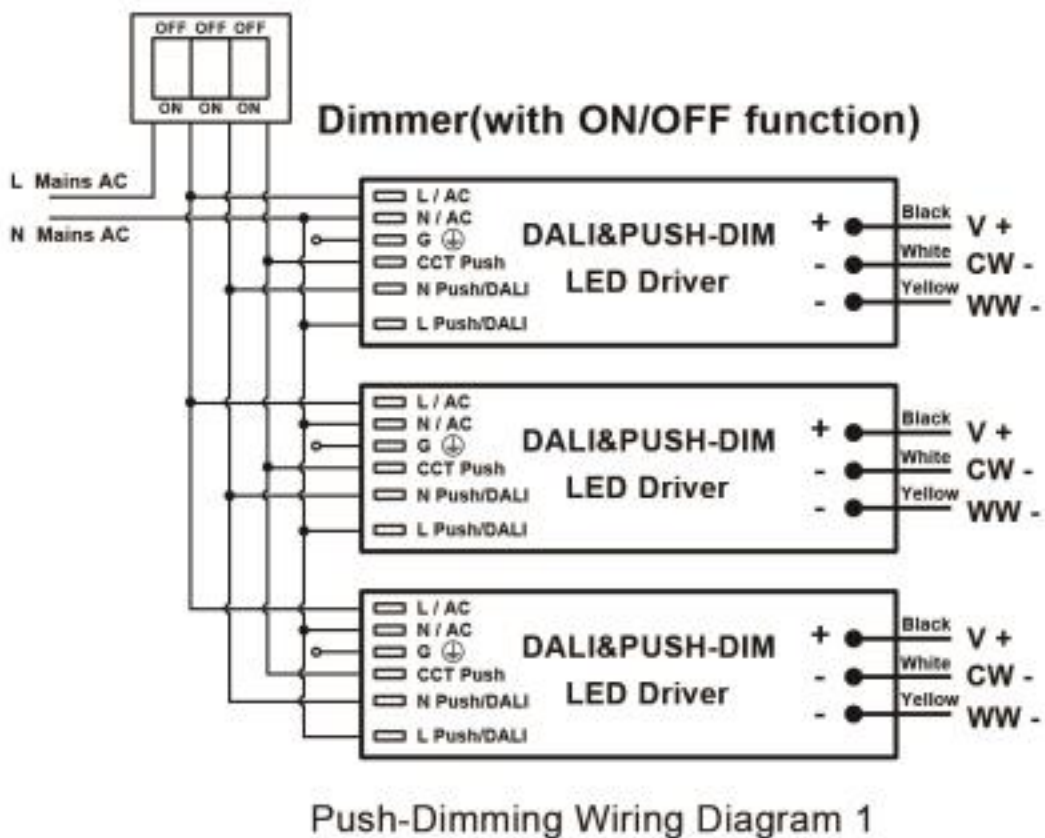
DALI Dimming Wiring Diagram

接线图



PUSH Dimming Wiring Diagram

接线图



Note: For DALI Dimming Wiring Diagram 3, please noted that only one DALI power is need in the DALI bus, so no extra DALI power is needed if the Master or Dimmer already includes the DALI Power.

注意: 对于 DALI 调光接线图 3, 请注意 DALI 总线中只需要一个 DALI 电源, 因此如果 Master 或 Dimmer 已经包含 DALI 电源, 则不需要额外的 DALI 电源。



DALI-2 Dimmable Constant Voltage

UL/cUL Slim Size DALI-2 Dimmable LED Driver
 DALI-2 恒压电源 (长条形)

Features 特性

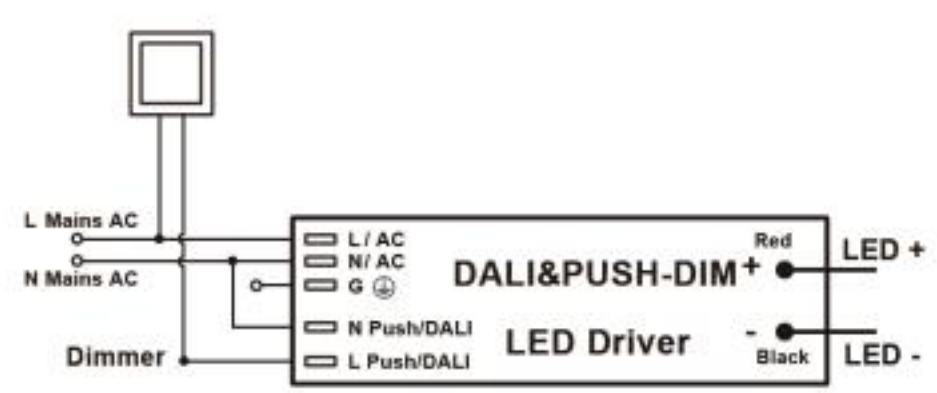
- Slim design, High efficiency, high reliability, save energy, protected environment, long life time
- Universal AC input : (100-277V)
- Short circuit/Overload/Over voltage/Over temp.
- Cooling by free air convection
- Built-in PFC function PF> 0.98 / Efficiency > 88%
- Designing standard : UL1310 Class 2 power unit
- Follow the global lighting safety regulations
- Built in DALI interface dimming function
- conform to DALI-2 Protocol IEC62386
- Dimming range: 0-100%, LED start at 0.1% possible
- 7 years warranty.
- UL/cUL, CE, FCC, ROHS approval

- 产品优势:** 超薄设计, 高效率, 性能稳定, 节能环保
保护环境, 寿命长
- 国际通用输入电压:** (100-277V)
- 保护功能:** 短路/过载/过压、过温保护功能
自然空气对流冷却
- 内置PFC功能:** PF>0.98/效率>88%
- 设计标准:** UL1310 Class2 电源配置
遵循全球照明安全条例
- 内置DALI接口调光功能**
符合DALI-2协议IEC62386
- 调光范围:** 0-100%, LED可启动0.1%
- 质保期:** 7年
- 认证:** UL/cUL, CE, FCC ROHS,

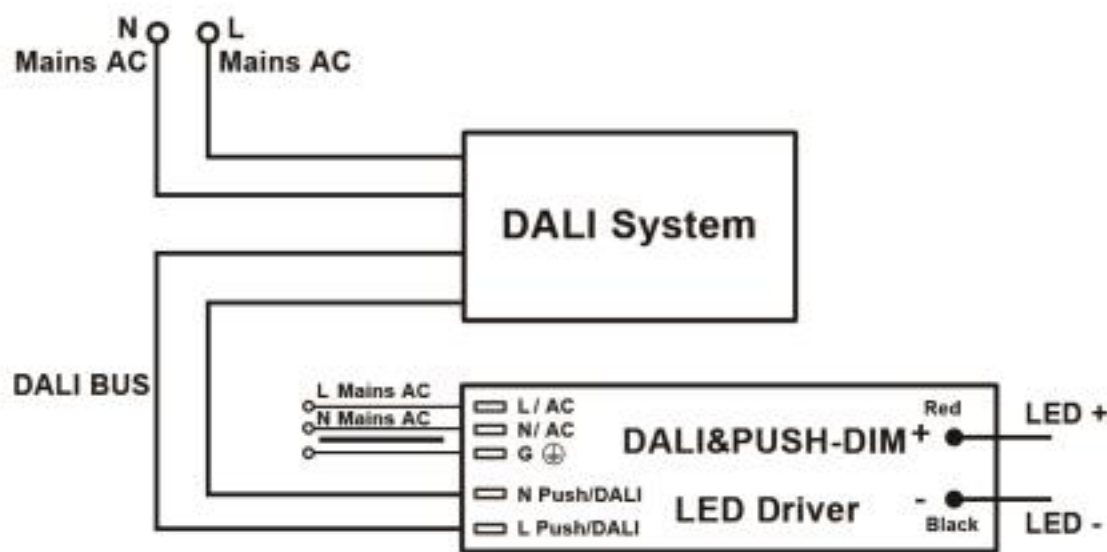
Application 适用范围

- Indoor & outdoor LED illuminating lights.
 - LED Neon,
 - LED City Decoration
 - LED Lighting Advertising,
 - LED Display, Strips, Light bar
 - Commercial LED Lighting,
- 户内外LED照明灯光
 - LED霓虹灯
 - LED城市装饰灯
 - LED广告灯带
 - LED显示屏, 灯带, 灯条
 - 商用LED照明

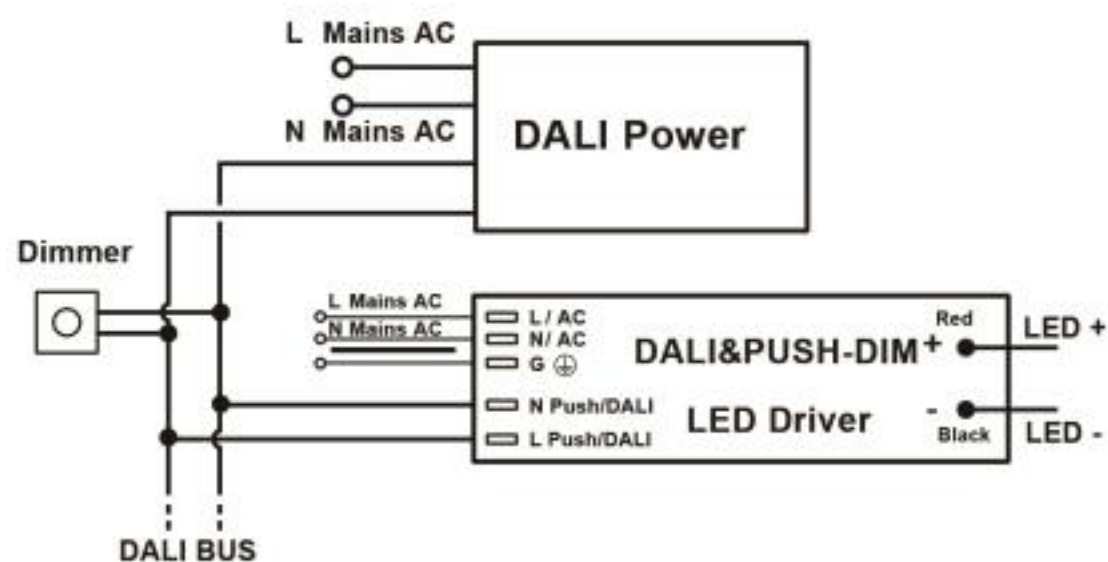
Dimming Operation 调光操作



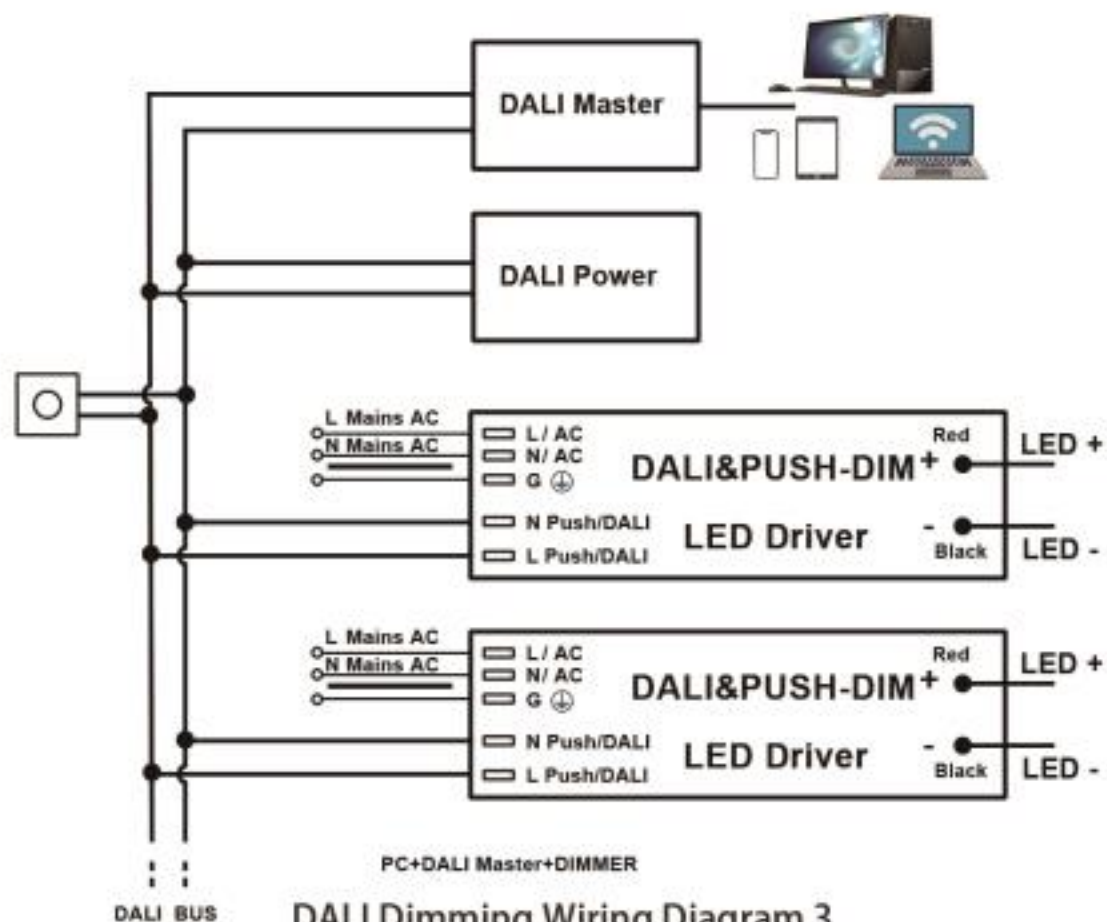
Push-Dimming Wiring Diagram 1



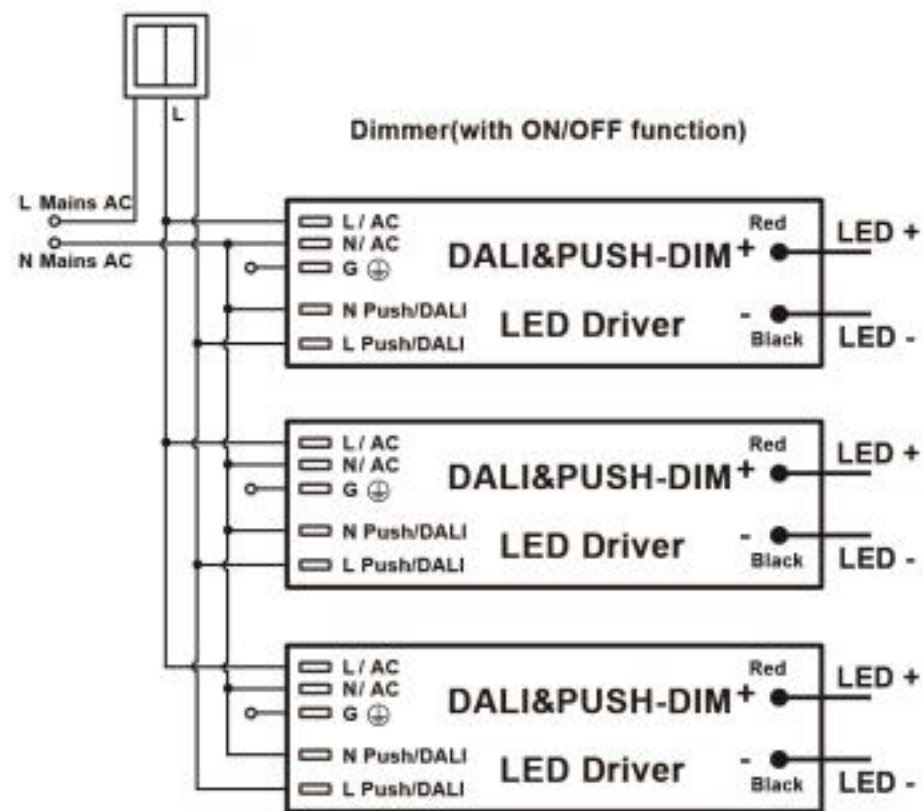
DALI Dimming Wiring Diagram1



DALI Dimming Wiring Diagram2



PC+DALI Master+DIMMER
DALI Dimming Wiring Diagram 3



Push-Dimming Wiring Diagram 2

Model 型号	Cover Material 外壳材质	Output Voltage 输出电压 (Vdc)	Output Current 输出电流 (Amp)	Output power 输出功率 (Watt)	Product Size 尺寸 (mm)	N/W 净重 (g)
SMT-012-030VMSW	Aluminum(IP67)	12	2.5	30	290*270*160	400
SMT-024-030VMSW	Aluminum(IP67)	24	1.25	30	290*270*160	400
SMT-012-030VMSP	Plastic(IP20)	12	2.5	30	330*275*130	300
SMT-024-030VMSP	Plastic(IP20)	24	1.5	30	330*275*130	300
SMT-012-036VMSW	Aluminum(IP67)	12	3	36	290*270*160	400
SMT-024-036VMSW	Aluminum(IP67)	24	1.5	36	290*270*160	400
SMT-012-036VMSP	Plastic(IP20)	12	3	36	330*275*130	300
SMT-024-036VMSP	Plastic(IP20)	24	1.25	36	330*275*130	300
SMT-012-060VMSW	Aluminum(IP67)	12	5	60	310*185*150	500
SMT-024-060VMSW	Aluminum(IP67)	24	2.5	60	310*185*150	500
SMT-012-060VMSP	Plastic(IP20)	12	5	60	310*185*150	400
SMT-024-060VMSP	Plastic(IP20)	24	2.5	60	310*185*150	400
SMT-012-100VMSW	Aluminum(IP67)	12	8.33	100	340*280*183	600
SMT-024-096VMSW	Aluminum(IP67)	24	4	96	340*280*183	600
SMT-012-100VMSP	Plastic(IP20)	12	8.33	100	340*280*183	500
SMT-024-096VMSP	Plastic(IP20)	24	4	96	340*280*183	500